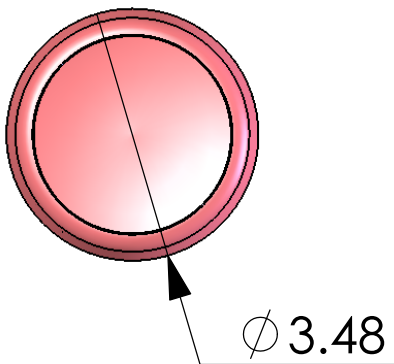
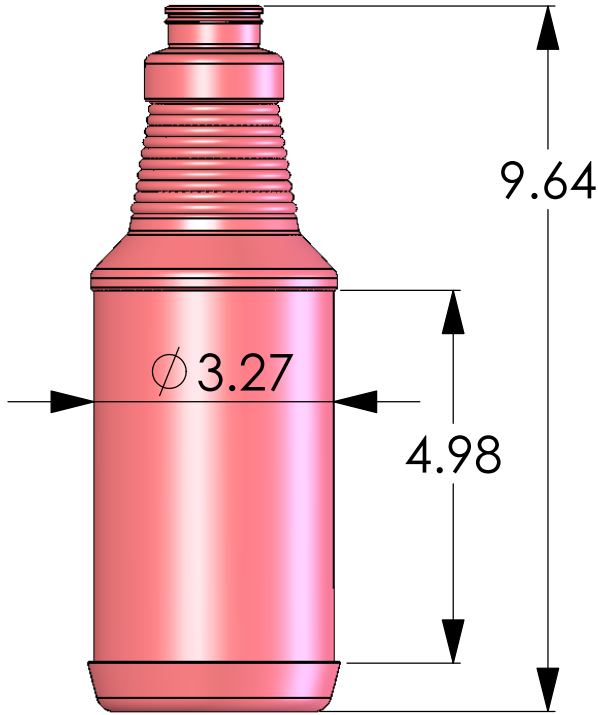
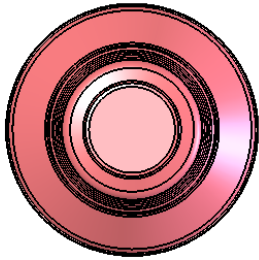



REVISIONS				
ZONE	REV.	DESCRIPTION	DATE	APPROVED



Nominal Capacity - 32 fluid ounces
Overflow Capacity - 33.7 fluid Ounces
Material - HDPE (Solvay B53-35H-011)
 or equivalent
Neck Finishes - SPI "M" style 28-400 -
 28-410 and 38mm Cap Snap available
Weight - 50 ± 3 grams
Standard Bulk Pack - 108 bottles per box
Reshippers - Available on request
Stock - Natural & Flamed - Custom matched
 colors also available

PROPRIETARY AND CONFIDENTIAL THE INFORMATION CONTAINED IN THIS DRAWING IS THE SOLE PROPERTY OF PRO-GRAM PLASTICS, INC. ANY REPRODUCTION IN PART OR AS A WHOLE WITHOUT THE WRITTEN PERMISSION OF PRO-GRAM PLASTICS, INC. IS PROHIBITED.	DIMENSIONS ARE IN INCHES		NAME		DATE	 700 PRO-GRAM PARKWAY • GENEVA, OHIO 44041 TELEPHONE (440) 466-8080 • FAX (440) 466-8099
	TOLERANCES:		DRAWN		Walt	
	FRACTIONAL ± 1/16		CHECKED			
	ANGULAR: MACH ± 1/2 DEG		ENG APPR.			
	TWO PLACE DECIMAL ± 0.062		MFG APPR.			
THREE PLACE DECIMAL ± 0.031		MATERIAL		Q.A.		
NEXT ASSY		USED ON		COMMENTS:		
APPLICATION		DO NOT SCALE DRAWING		38mm Cap Snap XT Caraffe Quart		
				SIZE	DWG. NO.	REV.
				A		
				SCALE=	File38mm Cap Snap XT Caraffe Quart	