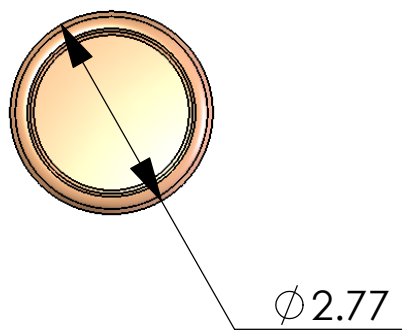
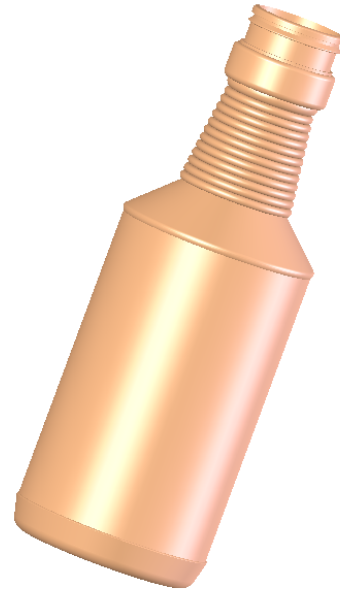
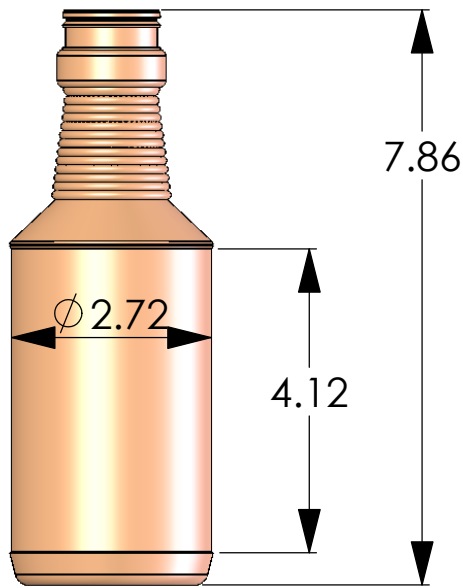
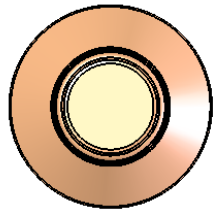



REVISIONS				
ZONE	REV.	DESCRIPTION	DATE	APPROVED



Nominal Capacity - 16 fluid ounces
Overflow Capacity - 16.9 fluid Ounces
Material - HDPE (Solvay B53-35H-011)
 or equivalent
Neck Finishes - SPI "M" style 28-400 - 28-410
 and 38mm Cap Snap available
Weight - 32 ± 2.5 grams
Standard Bulk Pack - 144 bottles per box
Reshippers - Available on request
Stock - Natural & Flamed - Custom matched
 colors also available

PROPRIETARY AND CONFIDENTIAL THE INFORMATION CONTAINED IN THIS DRAWING IS THE SOLE PROPERTY OF PRO-GRAM PLASTICS, INC. ANY REPRODUCTION IN PART OR AS A WHOLE WITHOUT THE WRITTEN PERMISSION OF PRO-GRAM PLASTICS, INC. IS PROHIBITED.	DIMENSIONS ARE IN INCHES		NAME	DATE	 38mm Cap Snap Caraffe Pint
	TOLERANCES:		DRAWN	Walt	
	FRACTIONAL ± 1/16		CHECKED		
	ANGULAR: MACH ± 1/2 DEG		ENG APPR.		
	TWO PLACE DECIMAL ± 0.062		MFG APPR.		
THREE PLACE DECIMAL ± 0.031		Q.A.		COMMENTS:	
MATERIAL					
FINISH					
NEXT ASSY	USED ON				
APPLICATION		DO NOT SCALE DRAWING			
		SIZE	DWG. NO.	REV.	
		A			
		SCALE=	File: 38 Cap Snap Caraffe Pint	SHEET 1 OF 1	