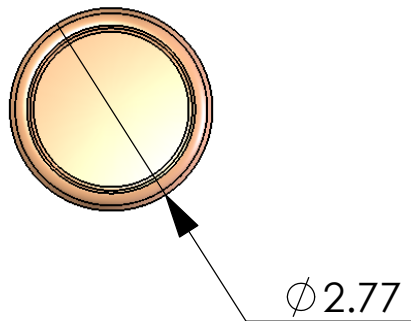
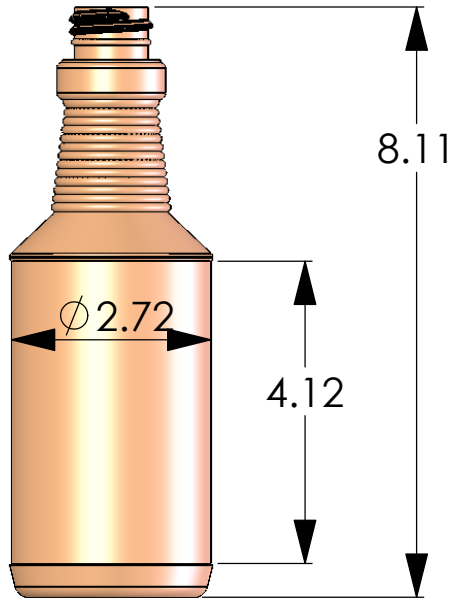
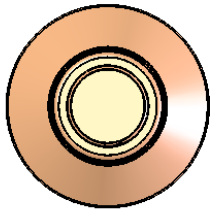



REVISIONS				
ZONE	REV.	DESCRIPTION	DATE	APPROVED



**Nominal Capacity** - 16 fluid ounces  
**Overflow Capacity** - 16.9 fluid Ounces  
**Material** - HDPE (Solvay B53-35H-011)  
 or equivalent  
**Neck Finishes** - SPI "M" style 28-400 - 28-410  
 and 38mm Cap Snap available  
**Weight** - 32 ± 2.5 grams  
**Standard Bulk Pack** - 144 bottles per box  
**Reshippers** - Available on request  
**Stock** - Natural & Flamed - Custom matched  
 colors also available

<b>PROPRIETARY AND CONFIDENTIAL</b> THE INFORMATION CONTAINED IN THIS DRAWING IS THE SOLE PROPERTY OF PRO-GRAM PLASTICS, INC. ANY REPRODUCTION IN PART OR AS A WHOLE WITHOUT THE WRITTEN PERMISSION OF PRO-GRAM PLASTICS, INC. IS PROHIBITED.	DIMENSIONS ARE IN INCHES		NAME	DATE	 700 PRO-GRAM PARKWAY • GENEVA, OHIO 44041 TELEPHONE (440) 466-8080 • FAX (440) 466-8099
	TOLERANCES:		DRAWN	Walt	
	FRACTIONAL ± 1/16		CHECKED		
	ANGULAR: MACH ± 1/2 DEG		ENG APPR.		
	TWO PLACE DECIMAL ± 0.062		MFG APPR.		
THREE PLACE DECIMAL ± 0.031		Q.A.		COMMENTS:	
MATERIAL					
FINISH					
NEXT ASSY	USED ON			SIZE <b>A</b> DWG. NO. <span style="float: right;">REV.</span>	
APPLICATION		DO NOT SCALE DRAWING		SCALE= File: 28-410 Caraffe Pint SHEET 1 OF 1	

**28-410 Caraffe Pint**