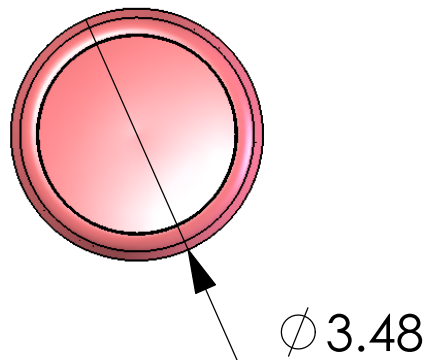
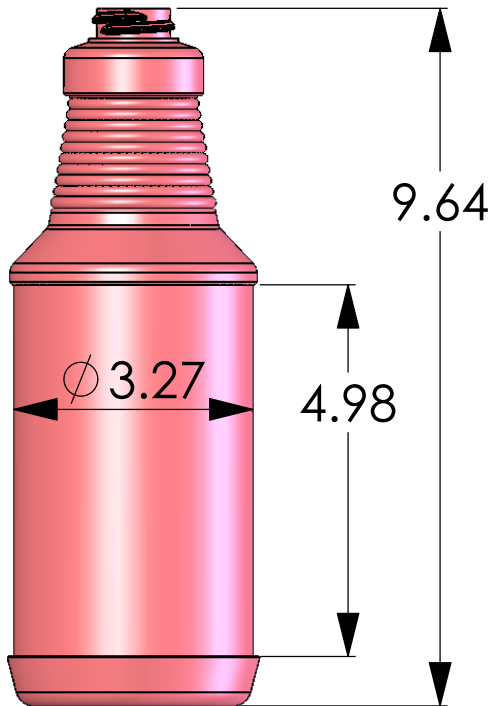
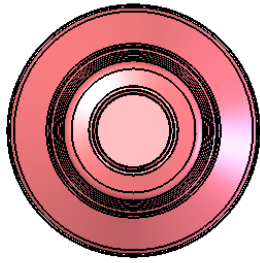



REVISIONS				
ZONE	REV.	DESCRIPTION	DATE	APPROVED



Nominal Capacity - 32 fluid ounces
Overflow Capacity - 33.7 fluid Ounces
Material - HDPE (Solvay B53-35H-011) or equivalent
Neck Finishes - SPI "M" style 28-400 - 28-410 and 38mm Cap Snap available
Weight - 50 ± 3 grams
Standard Bulk Pack - 108 bottles per box
Reshippers - Available on request
Stock - Natural & Flamed - Custom matched colors also available

PROPRIETARY AND CONFIDENTIAL THE INFORMATION CONTAINED IN THIS DRAWING IS THE SOLE PROPERTY OF PRO-GRAM PLASTICS, INC. ANY REPRODUCTION IN PART OR AS A WHOLE WITHOUT THE WRITTEN PERMISSION OF PRO-GRAM PLASTICS, INC. IS PROHIBITED.			DIMENSIONS ARE IN INCHES TOLERANCES: FRACTIONAL ± 1/16 ANGULAR: MACH ± 1/2 DEG TWO PLACE DECIMAL ± 0.062 THREE PLACE DECIMAL ± 0.031	NAME	DATE	 Pro-Gram Plastics, Incorporated 700 PRO-GRAM PARKWAY • GENEVA, OHIO 44041 TELEPHONE (440) 466-8080 • FAX (440) 466-8099	
	DRAWN	Walt					
	CHECKED						
	ENG APPR.						
	MFG APPR.						
		MATERIAL	Q.A.	COMMENTS:		28-400 Caraffe Quart	
NEXT ASSY	USED ON	FINISH					
APPLICATION		DO NOT SCALE DRAWING					
			SCALE=	File: 28-400 Caraffe Quart	SIZE A	DWG. NO.	REV.
							SHEET 1 OF 1